
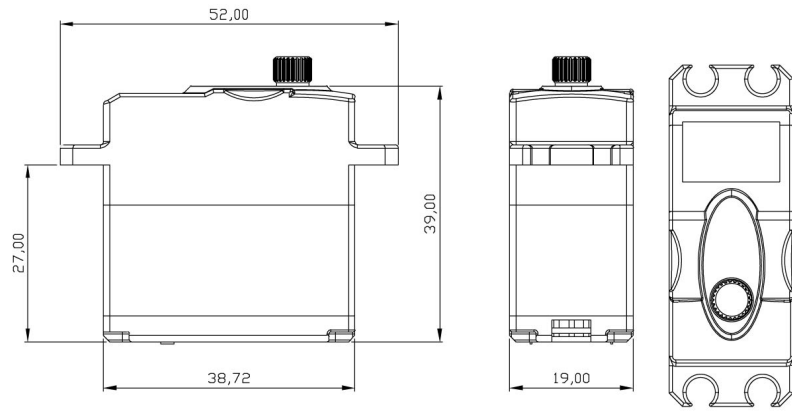


AHBS-1203HTG+HV / Full Size High Voltage BLDC Servo+HS+TG

(Ultra High Speed)

Control System	Positive PWM control 1500 usec Neutral	
Operating Voltage Range	4.8V ~ 8.4V	
Operating Temperature Range	-20C° ~ +90C° (-4°F ~ 194°F)	
Test Voltage:	Stall Torque	Motion Speed
At 6.0V	9.0kg/cm	0.07sec / 60 deg at no load
At 7.4V	11.0kg/cm	0.048/sec / 60 deg at no load
At 8.4V	12.5kg/cm	0.037sec / 60 deg at no load
Idle Current	2mA at stopped	2mA at stopped
Running Current	330mA at no load	345mA at no load
Stall Current	920mA	1050mA
Dead band width	2 usec	2 usec
Operation Travel	45° / one side pulse travel 400 usec	
Direction	Re-clock wise/ Pulse Travel 1500 to 2000 usec	
Motor Type	Japan Brushless motor	
Potentiometer Type	4 Slider/indirect drive	
Amplifier Type	6A Treble Power MOS-FET	
Dimensions	40 x 21 x 40.5 mm/ 1.57 x 0.83 x 1.59 in.	
Weight:	78grams / 2.75oz without splined horn	
Ball Bearing	Dual / M10x6	
Gear Material	Titanium Gears	
Horn Gear Spline	Metal 25 Tooth (External diameter: 5.9mm)	
Connector Wire Length	300mm (9.85inch)	
Connector Wire Stand Counter	60EA	
Connector Wire Gauge	22AWG	
Wire Info (Black)	- Negative	
Wire Info (Red)	+ Positive	
Wire Info (White)	S Single	
Spare Parts Items		
Servo Gear Set	<#10706> AHBS-1203HTG+HV(Metal Gears)	
Servo Case Set	<#10707> AHBS-1203HTG+HV(Outside case)	
Servo Accessories	<#10708> AHBS-1203HTG+HV(Accessories - Horn & screws & rubber)	



Version: 1.3

Update: 2014/1/15