
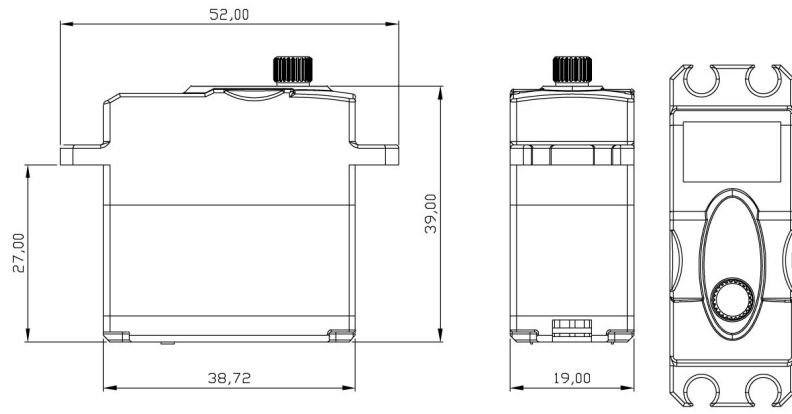


ABDS-996HTG+HV / Full Size High Voltage BLDC Servo+HS+TG(Ultra High Torque)

Control System	Positive PWM control 1500 usec Neutral	
Operation Voltage Range	6.0V ~ 7.4V	
Operation Temperature Range	-20C° ~ +60C° (-4°F ~ 140°F)	
Test Voltage:	At 6.0V	At 7.4V
Stall Torque	20.2kg/cm , 270oz/in	24.3kg/cm , 313 oz/in
Standing Torque	25.8kg/cm , 359oz/in	30.6kg/cm , 418oz/in
Speed	0.16sec / 60 deg at no load	0.14sec / 60 deg at no load
Idle Current	2mA at stopped	2mA at stopped
Running Current	330mA at no load	345mA at no load
Stall Current	920mA	1050mA
Dead band width	2 usec	2 usec
Operation Travel	40°/ one side pulse travel 400 usec	
Direction	Re-clock wise/ Pulse Travel 1500 to 2000 usec	
Motor Type	Japan Brushless motor	
Potentiometer Type	4 Slider/indirect drive	
Amplifier Type	6A Treble Power MOS-FET	
Dimensions	39.0 x 19 x 38.5 mm / 1.56 x 0.74 x 1.54 in.	
Weight:	56grams / 1.66oz without splined horn	
Ball Bearing	Dual / M10x6	
Gear Material	Titanium Gears	
Horn Gear Spline	Metal 25 Tooth (External diameter: 5.9mm)	
Connector Wire Length	300mm (9.85inch)	
Connector Wire Stand Counter	60EA	
Connector Wire Gauge	22AWG	
Wire Info (Black)	- Negative	
Wire Info (Red)	+ Positive	
Wire Info (White)	S Single	
<u>Spare Parts Items</u>		
Servo Gear Set	<#10706> ABDS-996HTG+HV(Metal Gears)	
Servo Case Set	<#10707> ABDS-996HTG+HV(Outside case)	
Servo Accessories	<#10708> ABDS-996HTG+HV(Accessories - Horn & screws & rubber)	



Version: 1.3

Update: 2013/3/20